

# Amiga

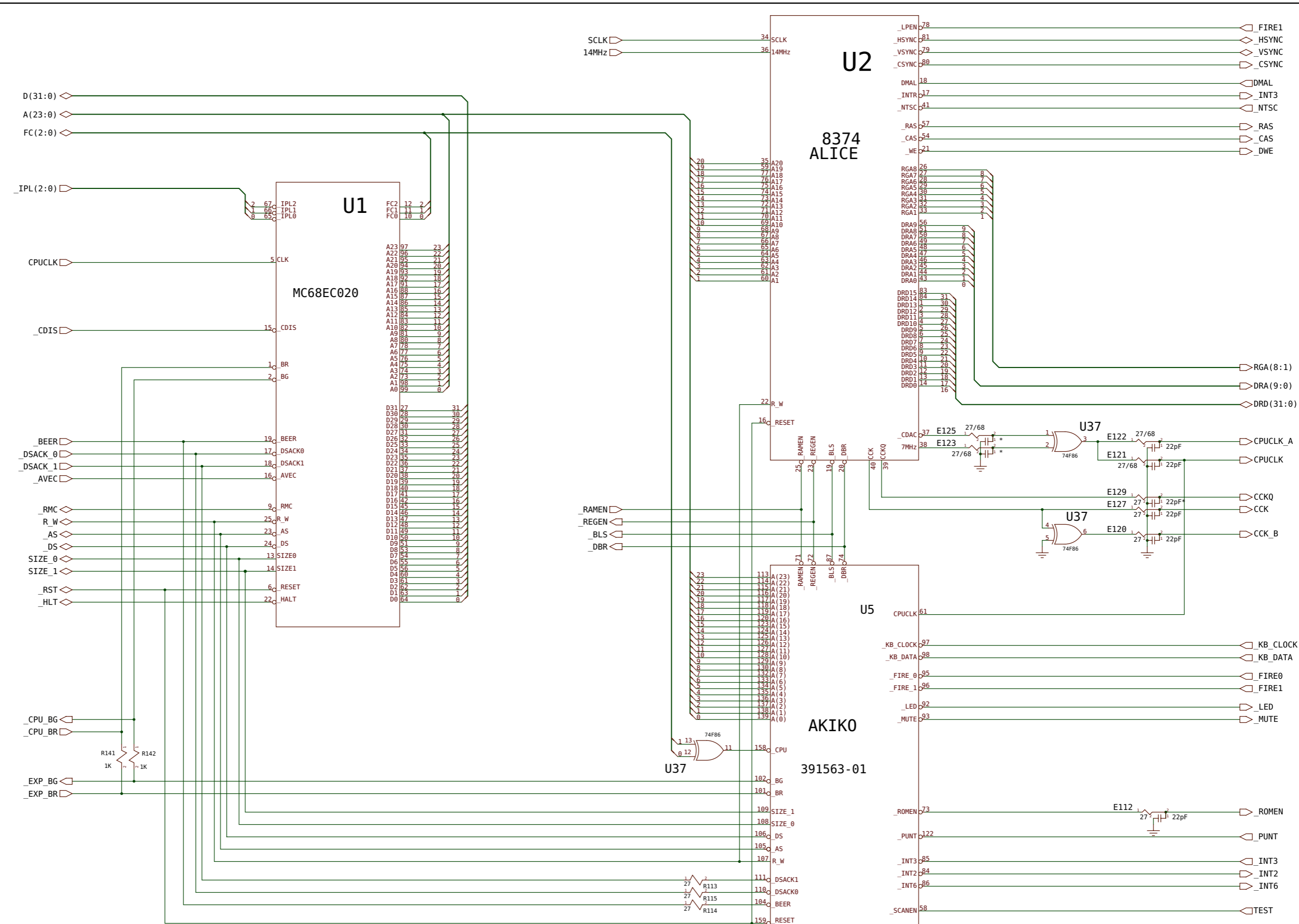
# CD32\_R4

Rev.1.43 (27.09.2015)



[www.amigawiki.org](http://www.amigawiki.org)



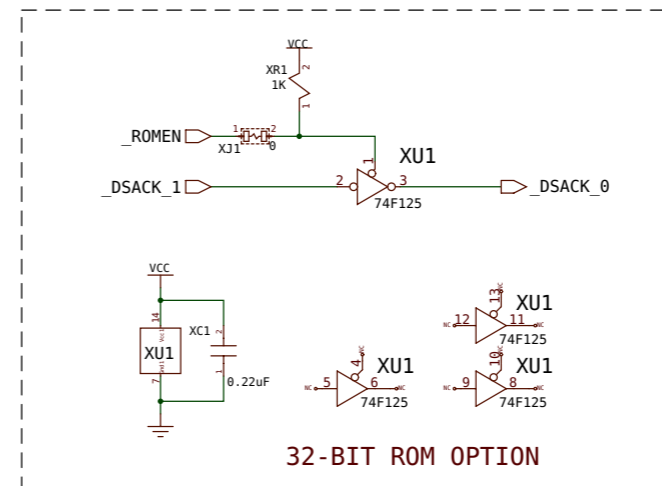
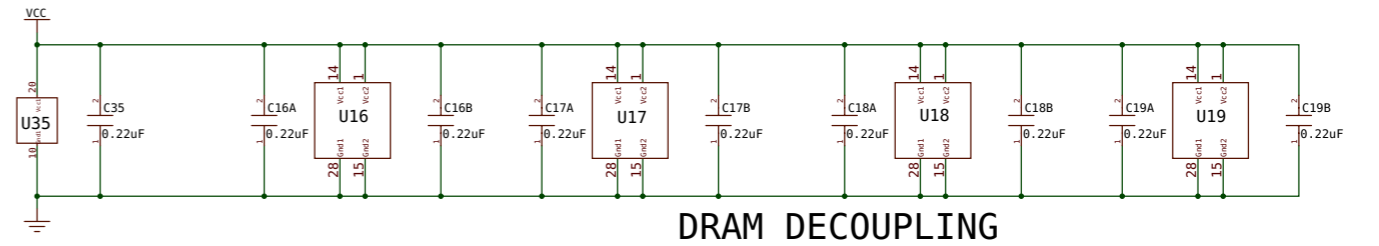
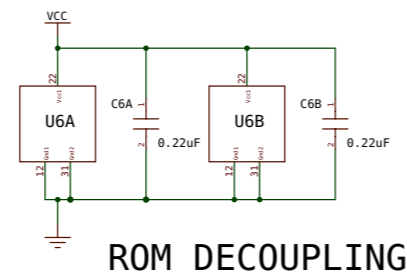
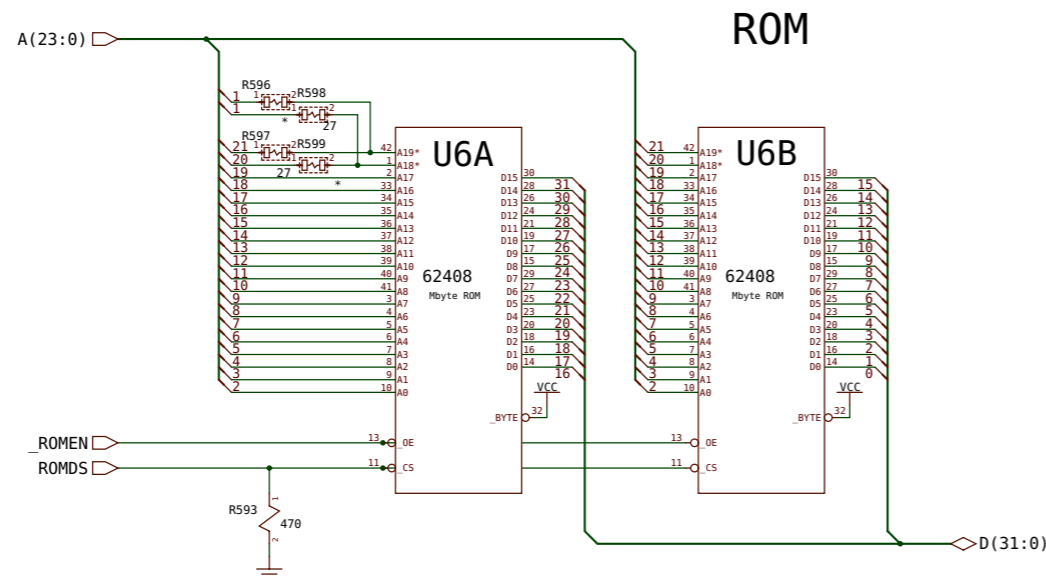
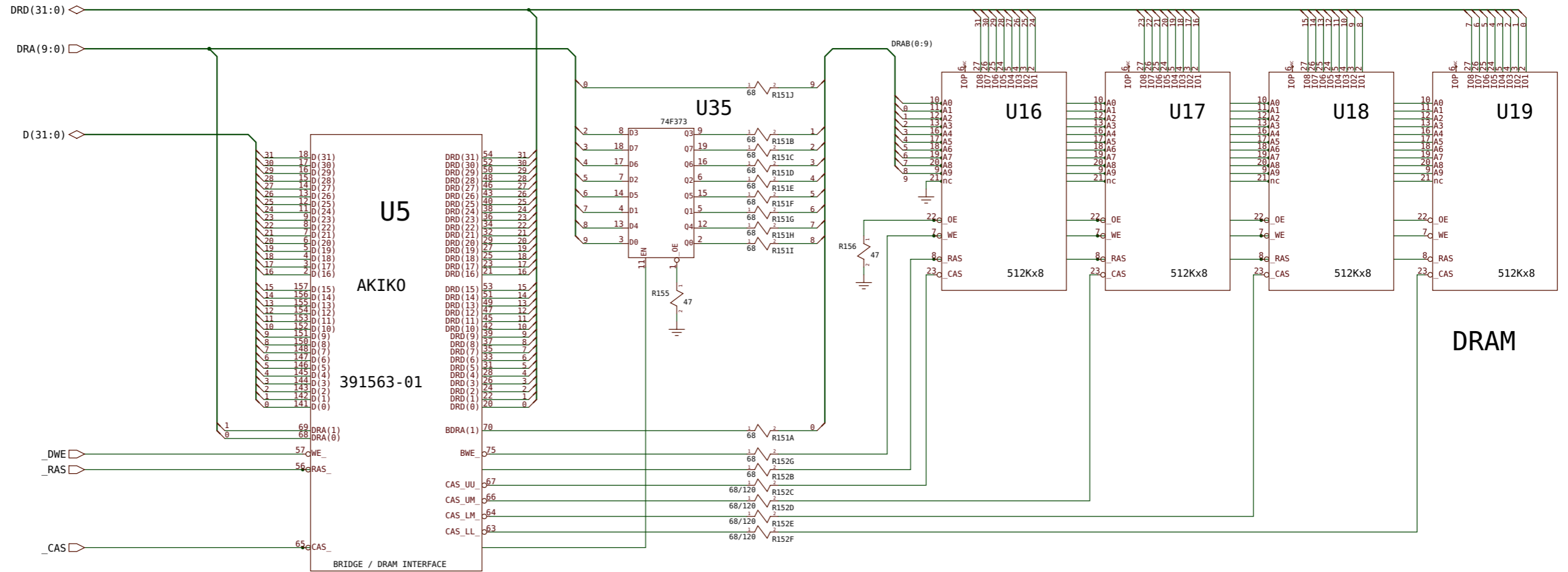


# 07/21/93 Spellbound CD/GS PLAYER PCB

Note: Various components are for EMI Control and may be loaded with funny things...

PROCESSOR AND OTHER USEFUL COMPONENTS			
DESIGN BY:	DATE:	Commodore	
G. Robbins	08/02/93	Schematic CD/GS Rev4	
CHKD: GRR	07/20/93	Unit - "Spellbound"	
LAST: JMF	10/20/93	UNIT	REV C
CHKD:		365436	365437
USED ON:	NEXT ASSY:	C/A100	SCALE: SHEET 2 OF 10
C/A100	365436	C	C

© 1992 Commodore Business Machines  
Information contained herein is the unpublished, confidential and trade secret property of Commodore Business Machines, Inc. Any use, reproduction or disclosure of this information without the prior written permission of Commodore is strictly prohibited.  
C.A.D. Generated  
No manual changes may be made to this document  
PATH: c:\projct\330\spellbound\_rev4.sht2



# CD/GS PLAYER PCB

Rev. 1.01 (27.06.2010)

© rebuild for www.amigawiki.org · for private use only

MEMORY AND... WELL, I USED TO REMEMBER

DESIGN BY: G. Robbins  
 DATE: 08/02/92  
 ORG: GPM  
 LAST. MOD: 07/01/93  
 CHG: JRM  
 APPR: JRM

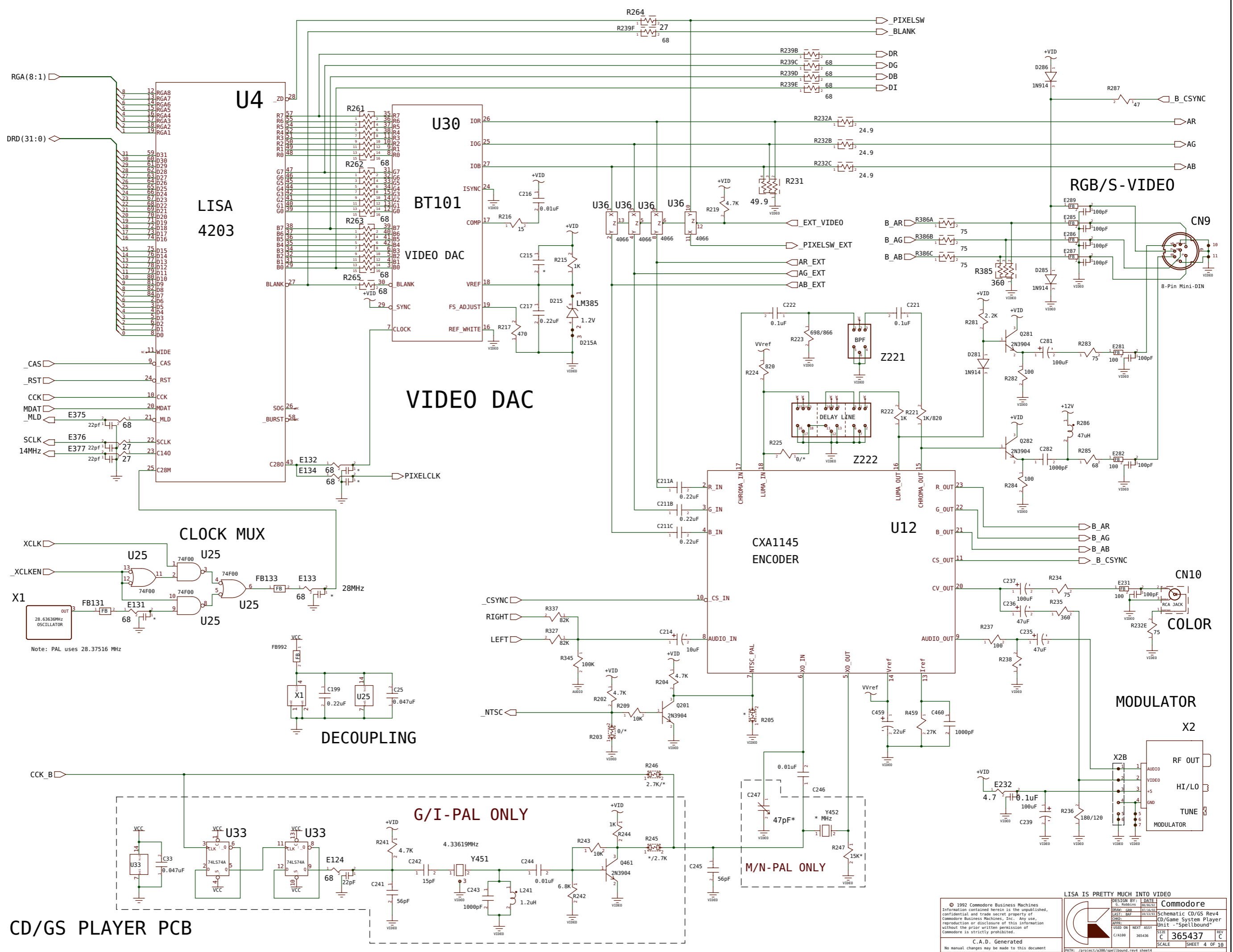
Commodore  
 CD/Game System Player  
 Unit - "Spellbound"

USID OR: C/A100  
 NEXT ASSY: 365436  
 SCALE: 1:1

365437  
 REV B  
 SHEET 3 OF 10

C.A.D. Generated  
 No manual changes may be made to this document

PATH: /projects/a300/spellbound\_rev4.sch



**CD/GS PLAYER PCB**

© rebuild for www.amigawiki.org · for private use only

LISA IS PRETTY MUCH INTO VIDEO

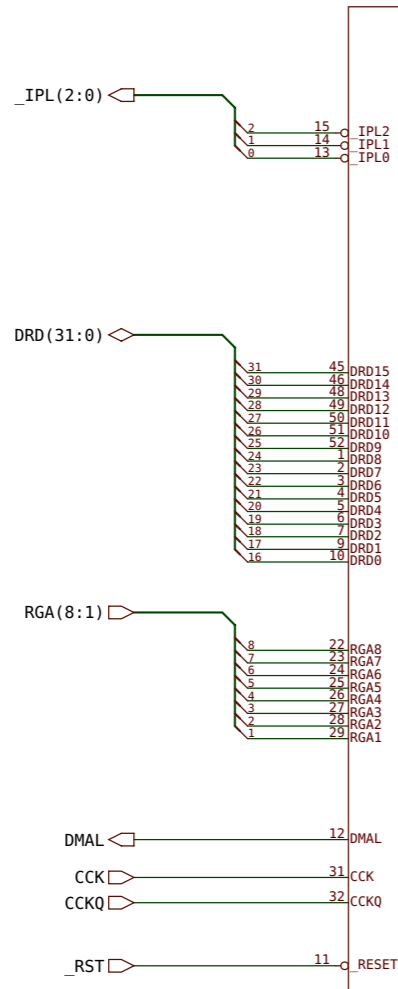
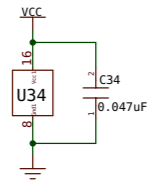
DESIGN BY: G. Robbins  
 DATE: 08/02/92  
 BOARD: 308  
 PART: 308  
 CDR: 308  
 MFR: 308  
 USED OR NEXT ASSY: 308  
 C/A100: 308  
 SCALE: 365437

Commodore  
 Schematic CD/GS Rev4  
 Unit - "Spellbound"  
 C 365437  
 SHEET 4 OF 10

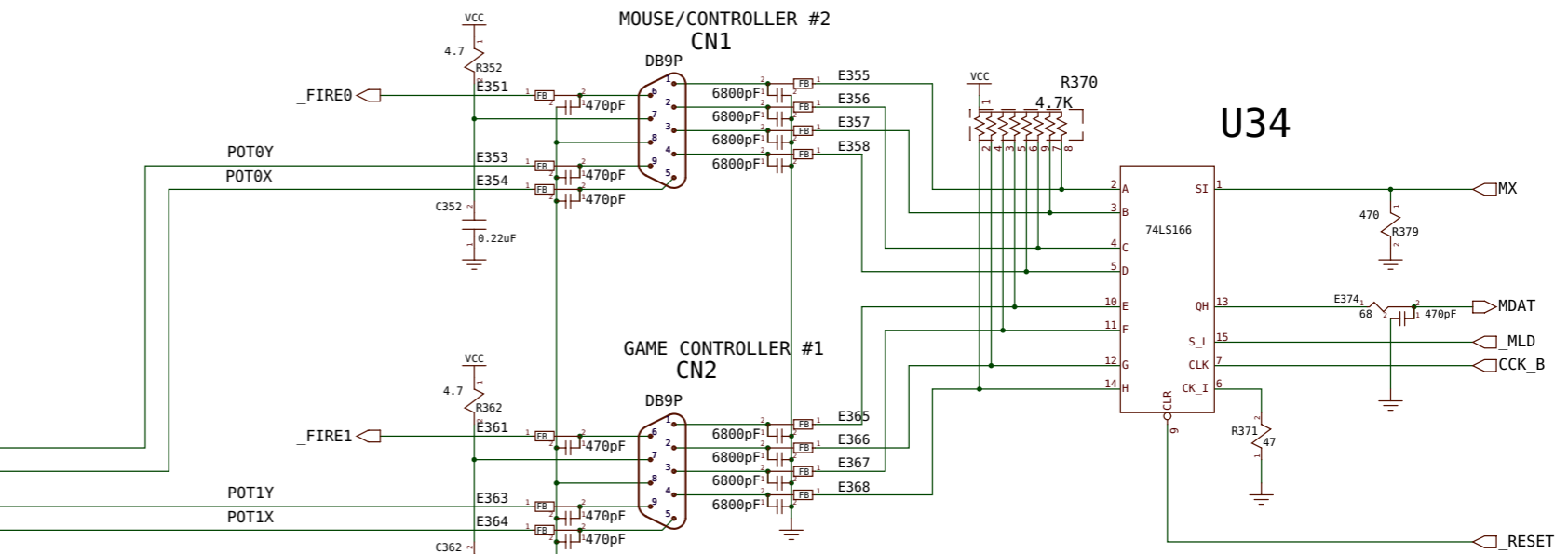
C.A.D. Generated  
 No manual changes may be made to this document

PATH: /proj/rect/308/spellbound\_rev4\_sheet4

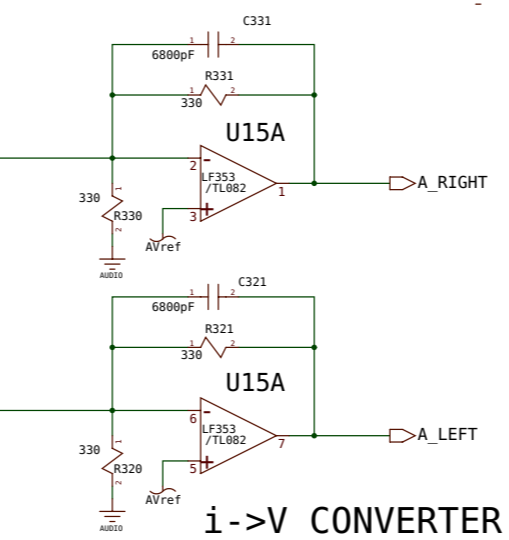
DECOUPLING



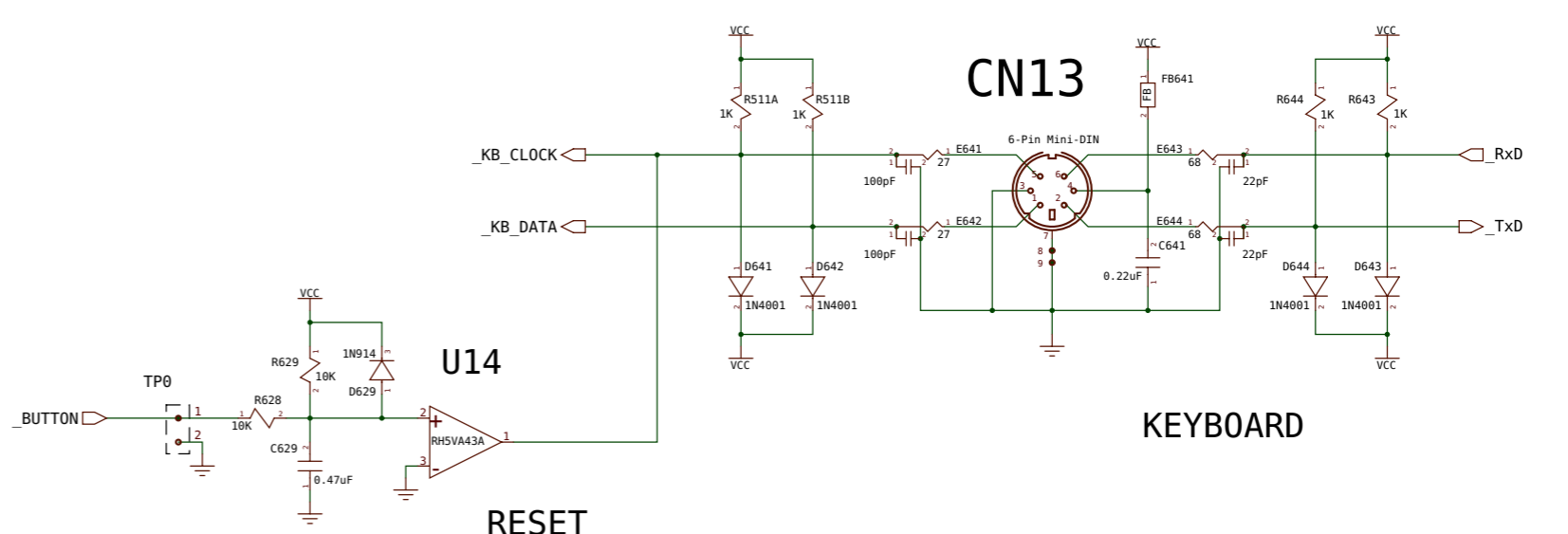
**U3**  
**PAULA**  
**8364**



MOUSE/JOYSTICK PORTS



i->V CONVERTER



KEYBOARD

RESET

CD/GS PLAYER PCB

Rev 1.01 (27 Feb 2001)

© rebuild for www.amigawiki.org · for private use only

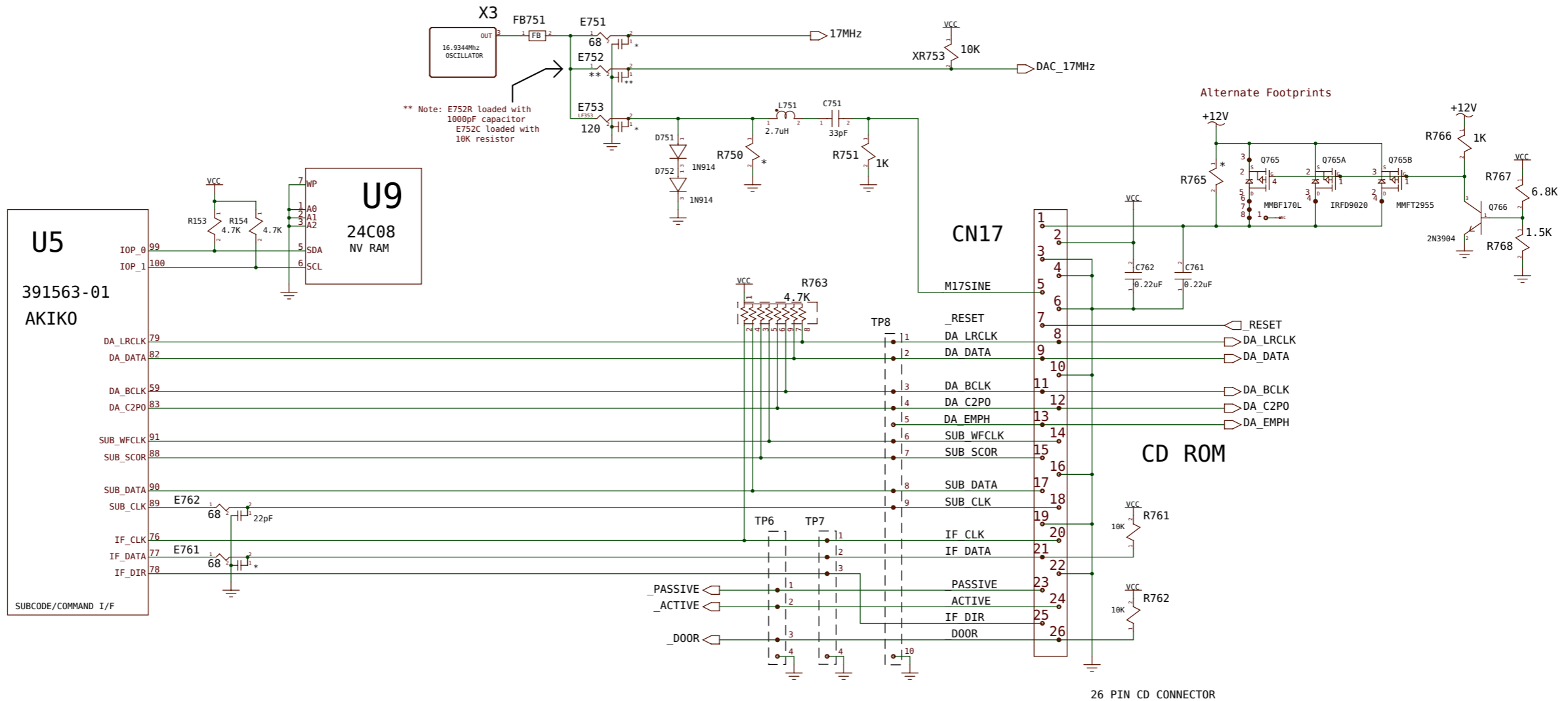
PAULA PREFERS THE TRADITIONAL MODES

DESIGN BY: G. Robbins	DATE: 08/02/92	Commodore Schematic CD/GS Rev4 Unit - "Spellbound"
CHKD BY: G.M.	DATE: 10/20/92	
USID OR C/A100	NEXT ASSY 365436	SCALE SHEET 5 OF 10

© 1992 Commodore Business Machines  
Information contained herein is the unpublished,  
confidential and trade secret property of  
Commodore Business Machines, Inc. Any use,  
reproduction or disclosure of this information  
without the prior written permission of  
Commodore is strictly prohibited.

C.A.D. Generated  
No manual changes may be made to this document

PATH: /rsrc/ct/a300/spellbound\_rev4\_sheet5



# CD/GS PLAYER PCB

Rev. 1.01 (12/24/2011)

© rebuild for www.amigawiki.org · for private use only

CD ROM, THE WAVE OF THE FUTURE - NOT!

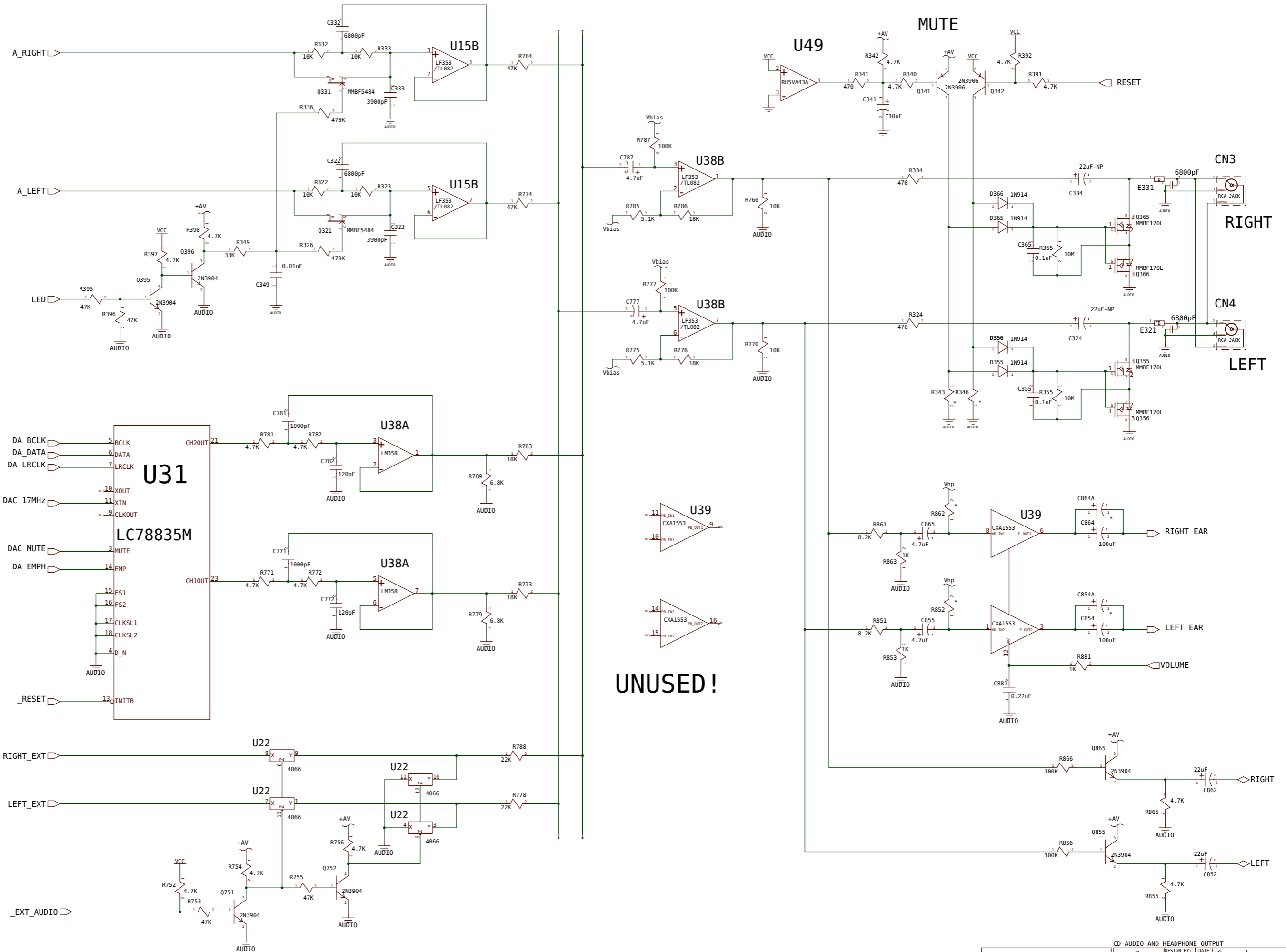
DESIGN BY:	G. Robbins	DATE:	08/02/92
ORIG:	208	REV:	07/20/93
LAST. BY:	139	DATE:	12/29/93
CHKD:			
APPR:			
USED ON:	NEXT ASSY	STR:	
C/A100	365436	STR:	
C.A.D. Generated		SCALE:	
No manual changes may be made to this document		DATE:	/rsrc/ct/a300/spellbound_rev4.sheet6

Commodore  
Schematic CD/GS Rev4  
CD/Game System Player  
Unit - "Spellbound"

365437  
C

SHEET 6 OF 10





# CD/GS PLAYER PCB

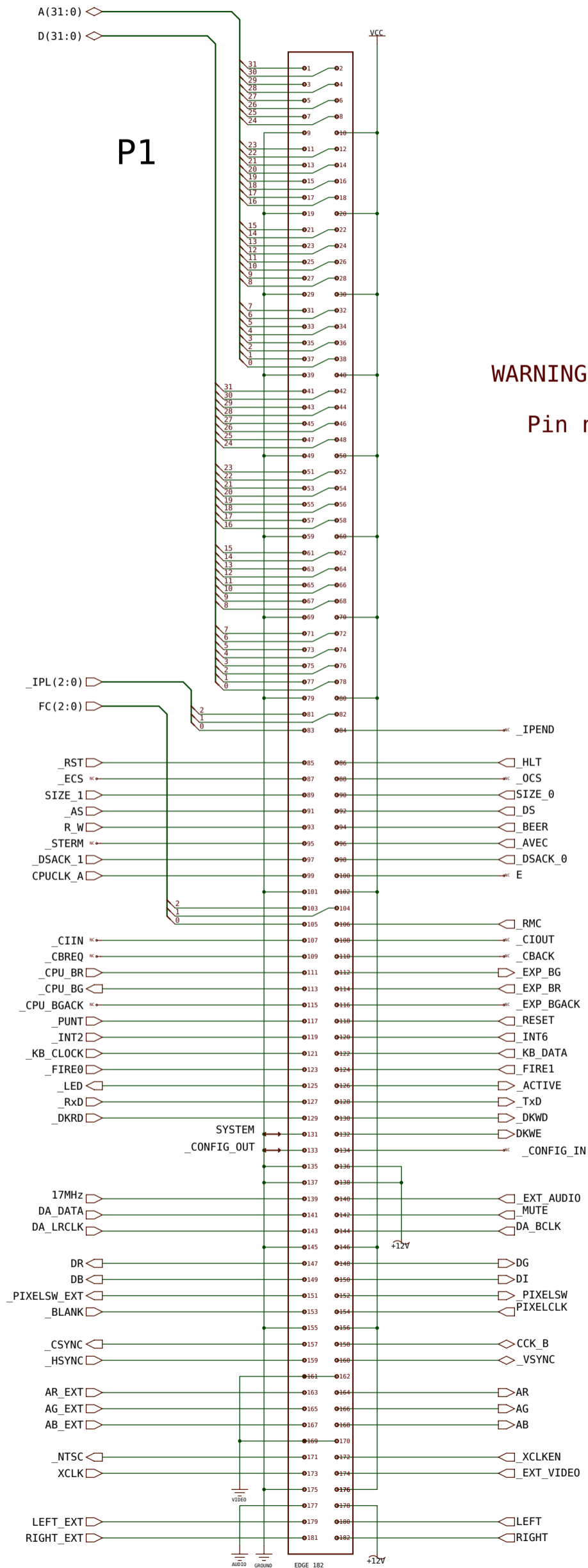
Rev. 1.01 (27.06.2010)

© rebuild for www.amigawiki.org · for private use only

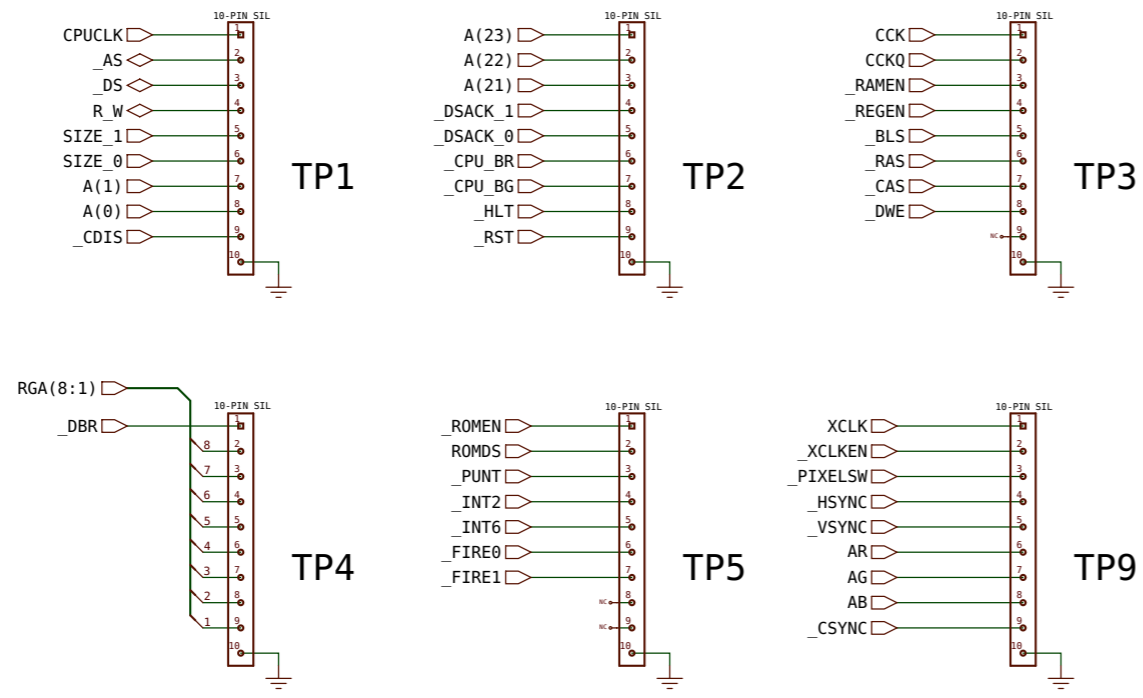
© 1992 Commodore Business Machines Information contained herein is the unpublished, confidential and trade secret property of Commodore Business Machines, Inc. Any use, reproduction or disclosure of this information without the prior written permission of Commodore is strictly prohibited.		<b>Commodore</b> Schematic CD/GS Rev4 Unit - "Spellbound"	
DESIGN BY: G. Robbins	DATE: 08/02/92	DESIGNED BY: G. Robbins	DATE: 07/20/92
USED ON: C/A100	NEXT ASSY: 365436	SCALE: C	REV: C
C.A.D. Generated		SHEET 7 OF 10	
No manual changes may be made to this document			



# EXPANSION CONNECTOR

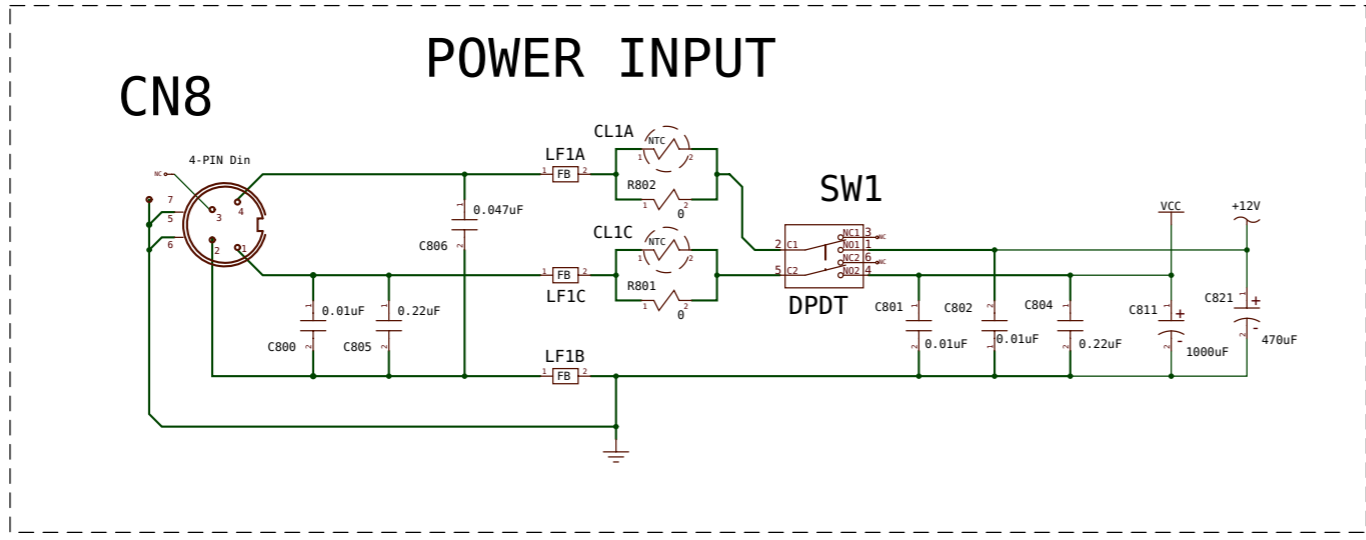
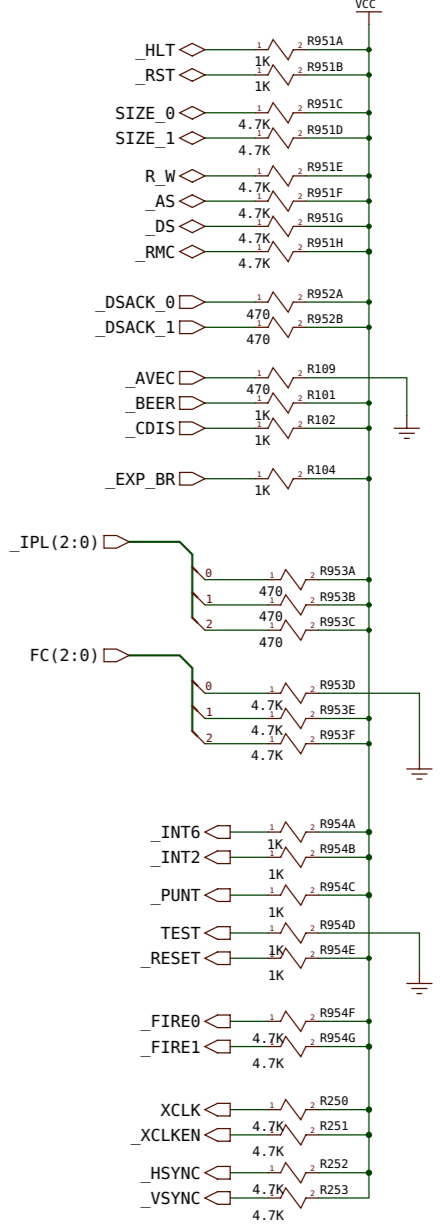


**WARNING:**  
Pin numbers are backwards

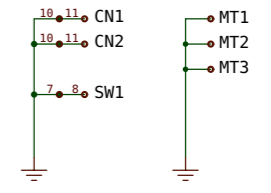


TEST ACCESS

TERMINATION



HOLES &c.



CD/GS PLAYER PCB

Rev 1.01 (27 Feb 2011)

© rebuild for www.amigawiki.org · for private use only

USER INTERFACE AND RELATED DEAD ENDS

© 1992 Commodore Business Machines  
Information contained herein is the unpublished, confidential and trade secret property of Commodore Business Machines, Inc. Any use, reproduction or disclosure of this information without the prior written permission of Commodore is strictly prohibited.

C.A.D. Generated  
No manual changes may be made to this document

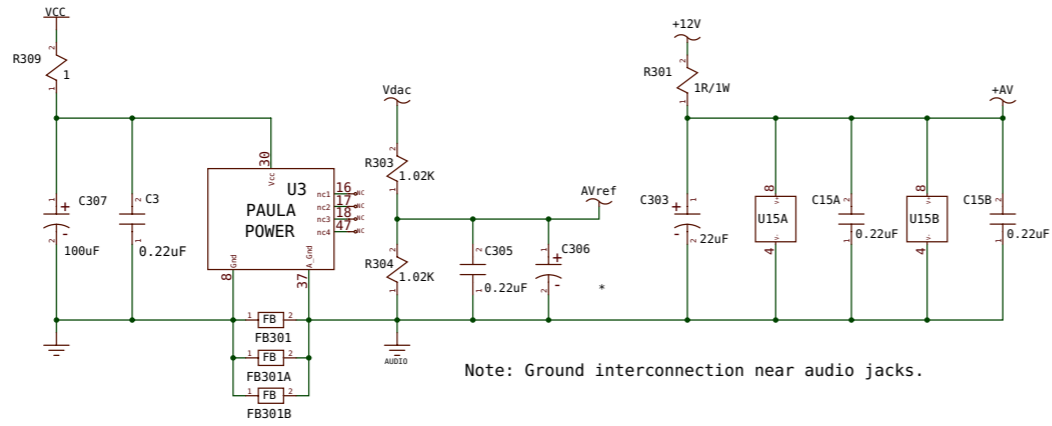
DESIGN BY:	G. Robbins	DATE:	08/02/92
ORIG:	208	REV:	07/20/93
LAST:	MM	DATE:	10/20/93
CHG:			
APP:			
USED ON:	C/A100	NEXT ASSY:	365436

Commodore  
Schematic CD/GS Rev4  
Unit - "Spellbound"

SCALE: C  
SHEET: 9 OF 10  
REV: C

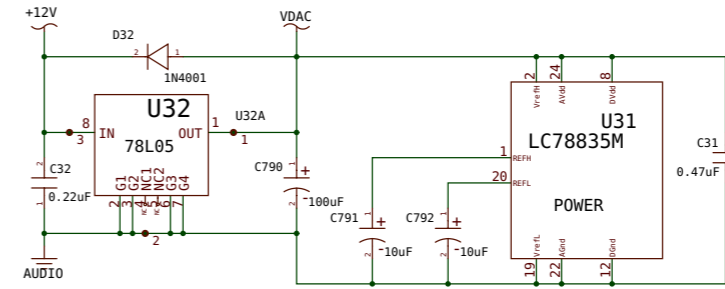
PATH: /proj/sect/a300/spellbound\_rev4\_sheet9

### PAULA/AUDIO DECOUPLING

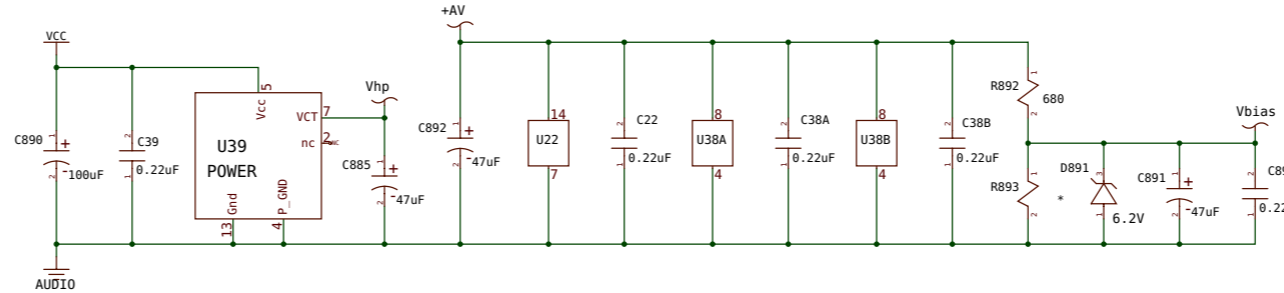


Note: Ground interconnection near audio jacks.

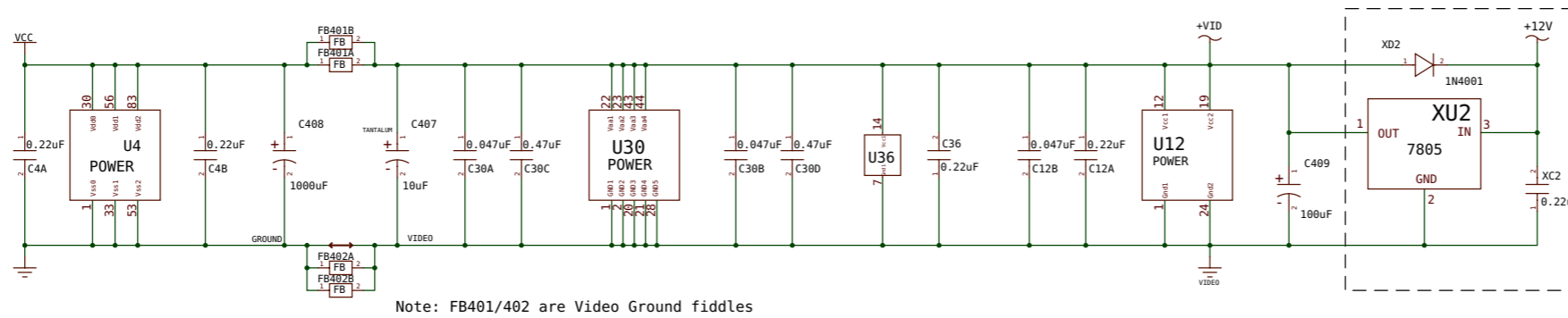
### CD/AUDIO DAC DECOUPLING



### HEADPHONE/AUDIO DECOUPLING

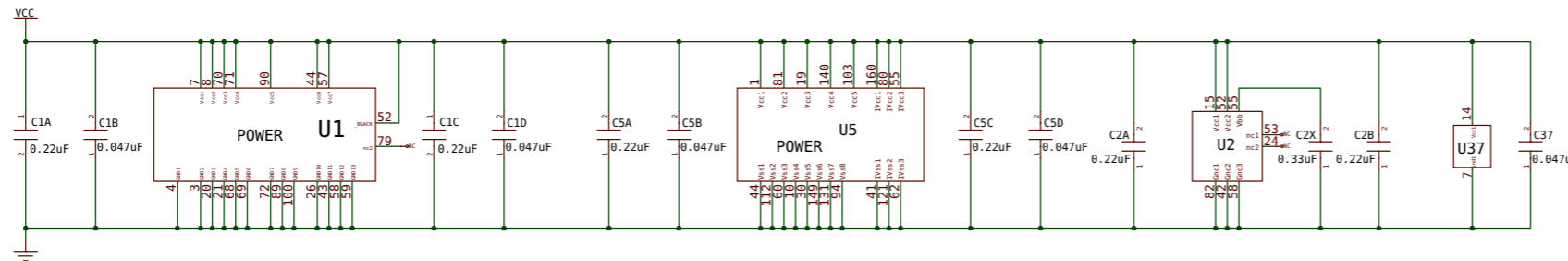


### VIDEO DECOUPLING



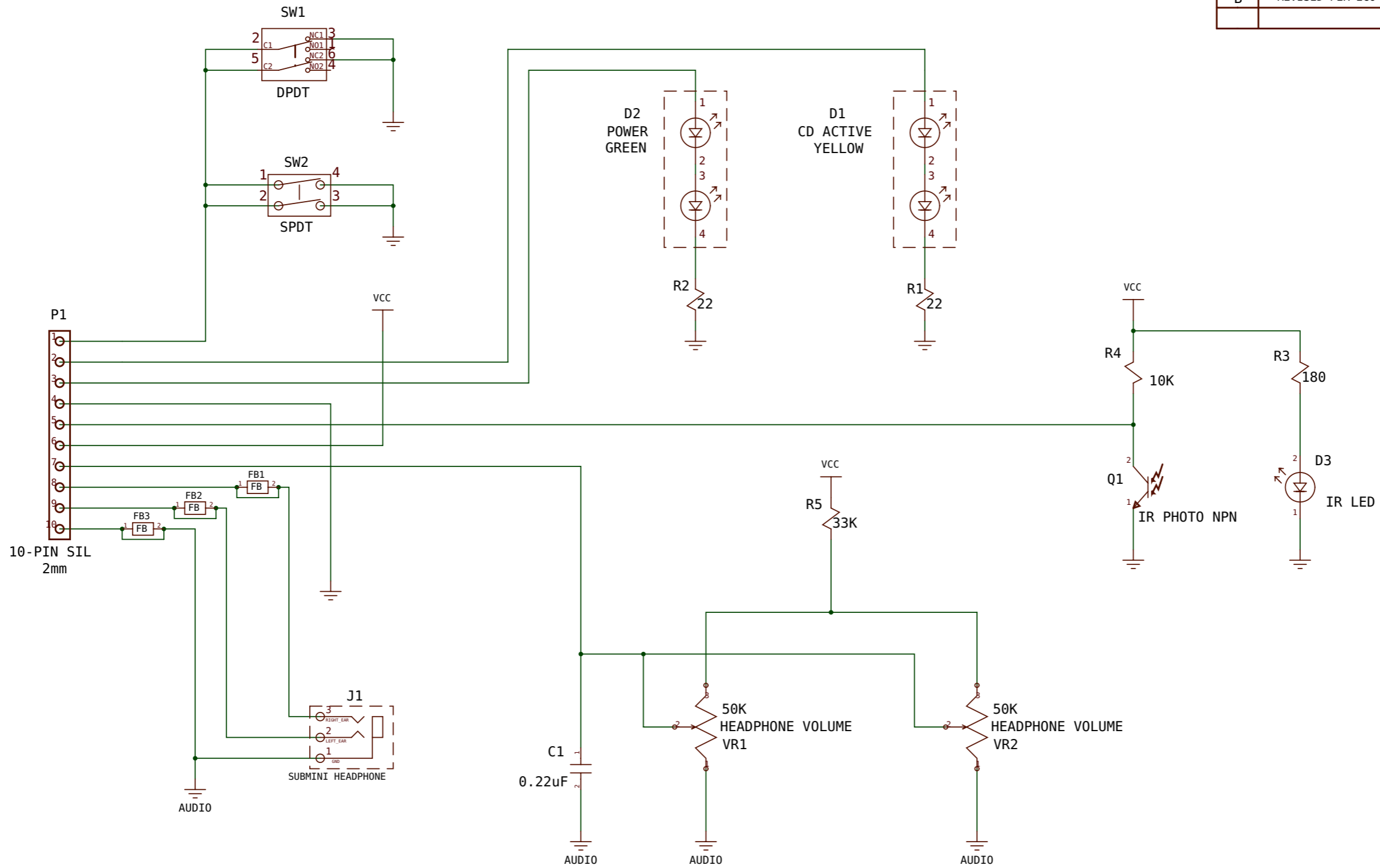
Note: FB401/402 are Video Ground fiddles

### PROCESSOR/AKIKO/ALICE DECOUPLING



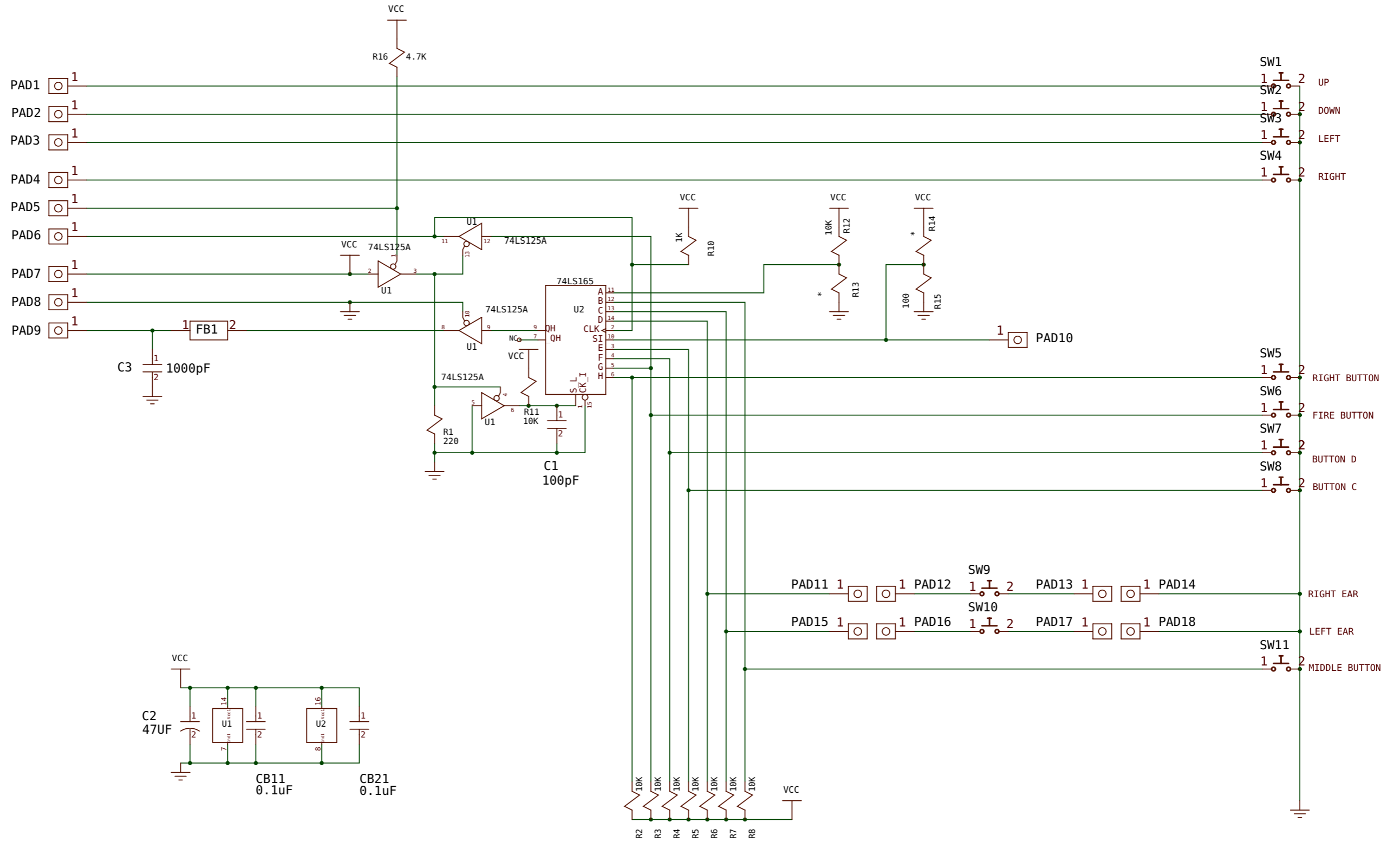
<p>© 1992 Commodore Business Machines Information contained herein is the unpublished, confidential and trade secret property of Commodore Business Machines, Inc. Any use, reproduction or disclosure of this information without the prior written permission of Commodore is strictly prohibited.</p>		<p>DESIGN BY: G. Rebbins DATE: 02/14/92 DRAWN: GRR LAST: GRR CHECKED: GRR USED ON: NEXT ASSY: C/A100 365436</p>		<p>Commodore Schematic CD/GS Rev4 Unit - "Spellbound" FILE: C 365437 SCALE: SHEET 10 OF 10</p>	
<p>C. A. D. Generated No manual changes may be made to this document</p>		<p>DATE: /revsect/A300/spellbound_rev4_sheet10</p>			

REVISIONS				
REV	DESCRIPTION	DATE	APRVL	MANAGER
1	ADVANCE ENGINEERING RELEASE	2/3/93	GRR	
2	REVISED PER ECO 930087	3/10/93	BB	
A	PILOT PRODUCTION RELEASE	4/15/93	GRR	
B	REVISED PER ECO			



THIS SPACE FOR WHITE-OUT ONLY

© 1993 Commodore Business Machines Information contained herein is the unpublished, confidential and trade secret property of Commodore Business Machines, Inc. Any use, reproduction or disclosure of this information without the prior written permission of Commodore is strictly prohibited.		DESIGN BY: B. Fenimore DATE: 5/13/93 DRAW: BAF LAST: BAF 5/13/93 CHRD: APPR: USED ON: CDGS NEXT ASSY: 356168	<b>Commodore</b> SCHEMATIC DISPLAY PCB CD GAME SYSTEM SIZE: B 365229 SCALE: SHEET 1 OF 1
C.A.D. Generated No manual changes may be made to this document		PATH: /user/fenimore/CDG/led.assy.rev1.sheet1	




Rev. 1.43 (27.09.2015)

PLUG AND PLAY BABY

© 1993 Commodore Business Machines  
 Information contained herein is the unpublished,  
 confidential and trade secret property of  
 Commodore Business Machines, Inc. Any use,  
 reproduction or disclosure of this information  
 without the prior written permission of  
 Commodore is strictly prohibited.

C.A.D. Generated  
 No manual changes may be made to this document

	DESIGN BY: D. Fabrizio	DATE: 12/16/92	<b>Commodore</b> Schematic A100 Game Controller Unit - "Spellbound"
	DRAWN: BAF	09/22/93	
	LAST: BAF	09/22/93	
	APPRO:		
	USED ON:	NEXT ASSY:	
C/A100			
	SIZE: B	REV: 3	
	SCALE:	SHEET 1 OF 1	

PATH: /project/a380/game cont.rev3 sheet1